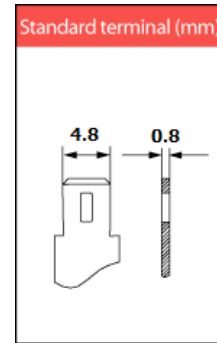
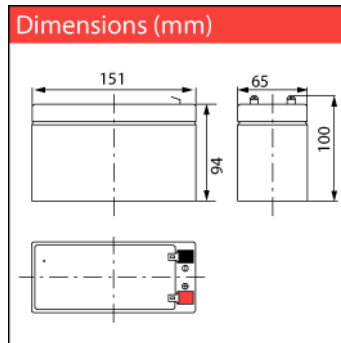




Battery for multi purpose use



| | | |
|-------------------------------|-----------------------------|-----------------|
| Nominal voltage | 12 V | |
| Nominal Capacity (20HR,20°C): | 7 Ah | |
| Internal resistance | Approx. 25 m Ω | |
| Maximum charging current | 2.1 A | |
| Maximum discharge current | 105 A (5 sec.) | |
| Operating temperature range | -20°C ~ 50°C | |
| Float use/ cycle use | 13.6 – 13.8V/ 14.5 – 14.9V | |
| Expected life (20°C) | 3 – 5 years in float charge | |
| Standard terminal | Faston 4.8 mm | |
| Housing material | ABS | |
| Dimensions | length | 151 mm |
| | width | 65 mm |
| | height | 97.5 mm (±1 mm) |
| Approx. Weight | 2.52 kg | |
| Packing | 8 pcs/box | |

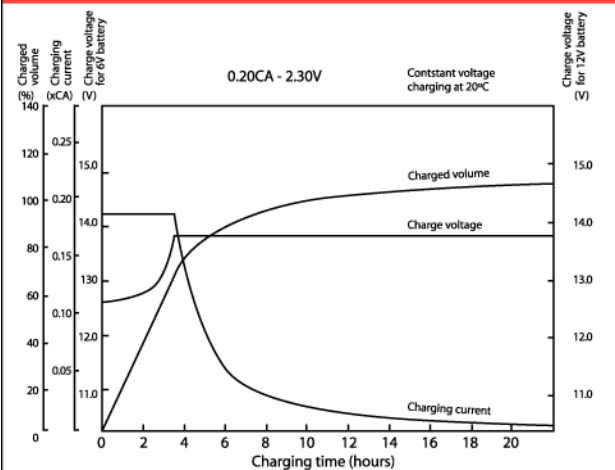
- Typical applications:**
- Alarm devices
 - Measuring equipment
 - Emergency lighting
 - Medical equipment
 - Telecommunication systems
 - UPS systems
 - Toys
 - Domestic applications.

- Valve Regulated Maintenance Free
- High current drain grid being resistant to corrosion by virtue of a lead-calcium alloy
- Absorbent Glassmat Technology (AGM)
- Classified as non- spillable and Non Dangerous goods by IATA, FAA, ADR, IMDG
- Can be discharged or stored in any position without leakage
- Cannot be charged while the terminal is downward

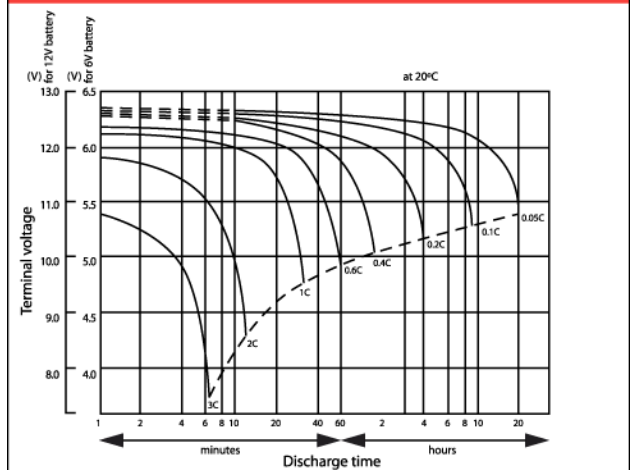
| Constant Current Discharge Characteristics (A, 20°C) | | | | | | | | | |
|--|------|-------|-------|-------|-------|------|------|------|------|
| F.V/TIME | 5min | 10min | 15min | 30min | 60min | 3h | 5h | 10h | 20h |
| 9.60V | 27.0 | 18.0 | 14.0 | 8.40 | 4.70 | 1.73 | 1.15 | 0.71 | 0.37 |
| 10.2V | 25.7 | 17.1 | 13.4 | 8.06 | 4.55 | 1.70 | 1.13 | 0.70 | 0.36 |
| 10.8V | 24.2 | 16.1 | 12.7 | 7.66 | 4.35 | 1.65 | 1.10 | 0.68 | 0.35 |

| Constant Power Discharge Characteristics (Watt, 20°C) | | | | | | | | | |
|---|------|-------|-------|-------|-------|------|------|------|------|
| F.V/TIME | 5min | 10min | 15min | 30min | 60min | 3h | 5h | 10h | 20h |
| 9.60V | 301 | 203 | 160 | 94.2 | 54.4 | 20.6 | 13.8 | 8.52 | 4.43 |
| 10.2V | 287 | 191 | 153 | 90.4 | 52.7 | 20.2 | 13.6 | 8.40 | 4.33 |
| 10.8V | 270 | 180 | 145 | 86.0 | 50.4 | 19.6 | 13.2 | 8.17 | 4.21 |

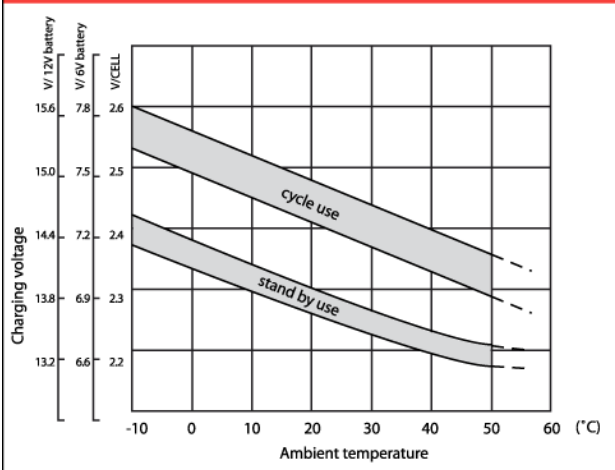
Charging characteristics



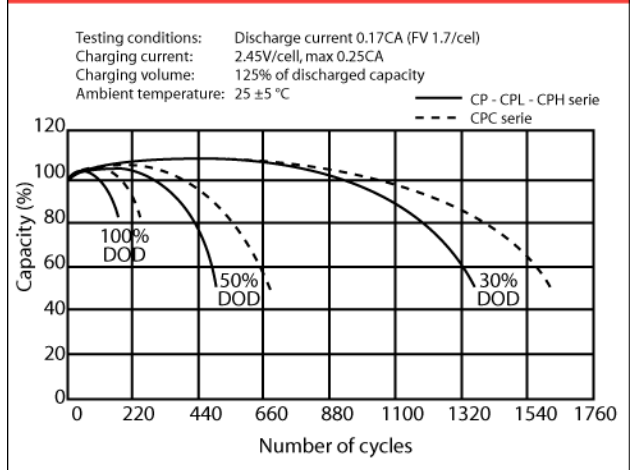
Discharge characteristics curves



Relationship between charging voltage and temperature



Cycle service life in relation to depth and discharge



Models available

| Model | capacity (Ah) | Dimensions (mm) | weight |
|--------------|---------------|-----------------|----------|
| CP 1.2 - 6 | 1.2 | 97 x 24 x 58 | 0.30 kg |
| CP 3.2 - 6 | 3.2 | 134 x 34 x 66 | 0.67 kg |
| CP 3.5 - 6 | 3.5 | 194 x 25 x 56 | 0.58 kg |
| CP 4 - 6 | 4 | 70 x 47 x 107 | 0.68 kg |
| CP 7 - 6 | 7 | 151 x 34 x 100 | 1.12 kg |
| CP 12 - 6 | 12 | 151 x 50 x 100 | 1.92 kg |
| CP 12 - 6L | 12 | 151 x 50 x 100 | 1.92 kg |
| CP 0.8 - 12 | 0.8 | 96 x 25 x 62 | 0.36 kg |
| CP 1.2 - 12 | 1.2 | 97 x 43 x 58 | 0.56 kg |
| CP 2 - 12M | 2 | 150 x 20 x 90 | 0.68 kg |
| CP 2.1 - 12 | 2.1 | 178 x 35 x 67 | 0.94 kg |
| CP 2.3 - 12C | 2.3 | 182 x 24 x 62 | 0.76 kg |
| CP 2.9 - 12 | 2.9 | 79 x 56 x 105 | 1.08 kg |
| CP 3.2 - 12 | 3.2 | 134 x 67 x 67 | 1.32 kg |
| CP 4.5 - 12 | 4.5 | 195 x 47 x 74 | 1.6 kg |
| CP 5 - 12 | 5 | 90 x 70 x 107 | 1.98 kg |
| CP 7 - 12 | 7 | 151 x 65 x 97.5 | 2.52 kg |
| CP 7 - 12 L | 7 | 151 x 65 x 97.5 | 2.56 kg |
| CP 12 - 12 | 12 | 151 x 98 x 101 | 3.56 kg |
| CP 17 - 12I | 17 | 181 x 77 x 167 | 5.74 kg |
| CP 20 - 12B | 20 | 181 x 77 x 167 | 6.00 kg |
| CP 24 - 12I | 24 | 166 x 175 x 125 | 7.88 kg |
| CP 38 - 12I | 38 | 197 x 165 x 170 | 12.96 kg |
| CP 65 - 12I | 65 | 348 x 167 x 178 | 22 kg |

VdS approved VRLA batteries:

The VdS-approved Cellpower batteries form a special range that has been tested and qualified by the German VdS institute. The concept behind VdS recognition; ensuring tested and certified quality in the products and services being offered in the safety and security markets, is of equally advantageous for user and supplier.

Safety and security systems are approved by the VdS and monitored in subsequent use to protect property and life and help to keep a insurance premiums lower.

Apart from the VdS approval, this range is also approved by the Dutch NCP institute, further underlining the high quality of this range.

Typical applications:

- VdS & NCP approved alarm systems
- Fire & burglar alarm systems